

ZP7 Series Addressable Base Sounder with Visual Indicator

ZP755BV-4P

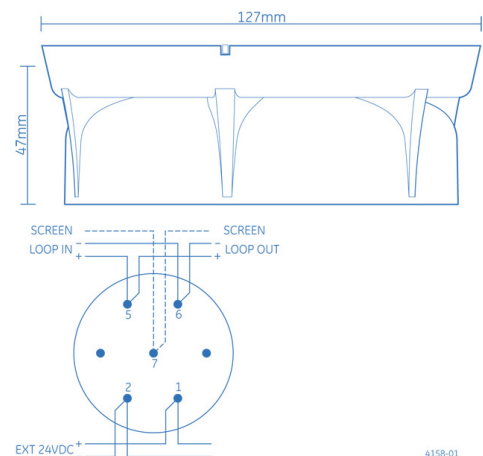
The ZP755BV-4P is a POLAR WHITE, addressable loop powered base sounder with visual indicator for use on ZP fire alarm systems. The ZP755BV combines a detector base, audible sounder and high intensity visual indicator in a single stylish moulding. It offers both audible and visual warnings from a single, addressable, loop wired unit.

Specifications

Compatibility	All ZP7 addressable systems
Mounting	Surface mount with plug in base - SPB-2P (White)
Operating voltage	
Loop powered	19.5 - 20.5V
Externally powered	18 - 30VDC
Loop current	
Quiescent (when loop powered)	500microA
Active (when loop powered)	6mA
Quiescent (when externally powered)	470microA
Active (when externally powered)	500microA
Devices per loop (max)	35 (1km loop of 1.5mm ² cable, 50 m to first device)
Wiring	2 core loop
Monitoring	Open/short circuit, sound output, removal, device type
Addressing method	7 way dipswitch
Sounder	
Sound output (tone dependant)	< 75dB(A)
Sound types	User configurable
Visual indicator	
Light source	Red LED array
Light output	< 1J
Flash frequency	0.9 Hz
Environmental	
Application	Indoor
IP rating	IP21C
Operating temperature	-10°C to 60°C
Storage temperature	-20°C to 70°C
RH range (noncondensing)	10 to 95%
Physical	
Dimensions (dia x h)	127 x 47mm
Weight	156g
Material	Moulded thermoplastic
Colour	Polar White
EMC	CPR certified



- Detector, sounder and visual indicator from a single wiring point, minimising installation costs
- Powered directly from the fire panel loop
- Separate addresses selectable for detector and notification device
- Up to 35 units directly on the loop
- High efficiency sound gun transducer
- Plug in base - no direct wiring to the notification device
- Wide range of international sound types and frequencies
- EN54:3 approved and CPR certified



Ordering Information

ZP755BV-4P	ZP7 Series Addressable Base Sounder with Visual Indicator
SPB-2P	Pluggable Base for ZP7 Series Notification Devices - POLAR WHITE
ZP755-COV-P	Polar White Cap for ZP755B Series Notification Devices
ZP755-COV-R	Red Cap for ZP755B Series Notification Devices